

ULTIMA+ OP

www.armstrong.eu

Armstrong[®]

ULTIMA+ OP





33%
EN ISO 14021

Recycled Content


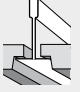
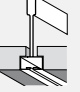
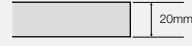
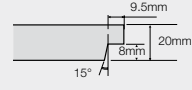
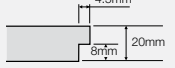


87%
EN ISO 7724-2 & 3

Light Reflectance

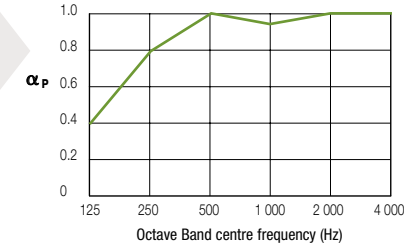


Concentration

ULTIMA+ OP	BOARD	TEGULAR	MICROLOOK 90
	 Prelude XL ² /TLX 24 mm Prelude Sixty ²	 Prelude XL ² /TLX 24 mm Prelude Sixty ²	 Prelude XL ² /TL 15 mm Interlude XL ² 15 mm Silhouette XL ² 15 mm
			
600 x 600 x 20 mm	7682 M	7678 M	7685 M
625 x 625 x 20 mm	7682 D	7678 D	7685 D
675 x 675 x 20 mm	7683 M	7679 M	7686 M
600 x 1200 x 20 mm	7684 M	7680 M	7687 M

α_w	NRC	125	250	500	1000	2000	4000	Hz	α_p
1.00	0.95	0.40	0.80	1.00	0.95	1.00	1.00		

Sound Absorption Class = A



D_{nfw}	25 dB
------------------------	-------

R_w	10 dB
----------------------	-------

EEA	Euroclass A2-s1, d0
------------	---------------------


RUS	KM1 (G1, V1, D1, T1)
------------	----------------------

λ	= 0.037 W/m K
-----------	---------------

	95 % RH
---	---------

	ISO 5
---	-------

15 YEAR	30 YEAR
guarantee	system guarantee

	≈ 3.7 kg/m ²
---	-------------------------

Please contact our Armstrong Technical Sales Group for further details. www.armstrong.eu



Printed in E.C. on chlorine free paper from sustainable resources. R.C.S. Besançon B 784 131 575 Armstrong Building Products PC 1302