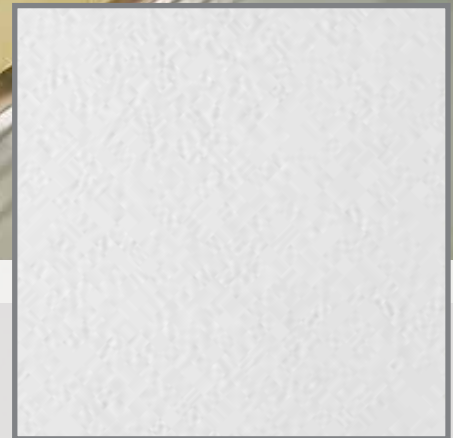


PLAIN



PLAIN



≤42%
EN ISO
14021


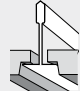
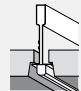

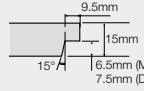
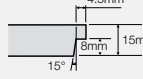
Recycled Content



87%
EN ISO
7724-2 & 3

Light Reflectance

PLAIN

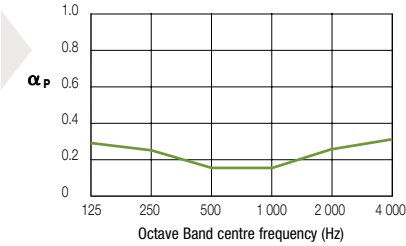
	BOARD	TEGULAR	MICROLOOK
			
	Prelude XL ² /TLX 24 mm Prelude Sixty ²	Prelude XL ² /TLX 24 mm Prelude Sixty ²	Prelude XL ² /TL 15 mm Interlude XL ² 15 mm
			
600 x 600 x 15 mm	9587 M	9589 M	9590 M
625 x 625 x 15 mm	9587 D	9589 D	9590 D
600 x 1200 x 15 mm	9588 M		
625 x 1250 x 15 mm	9588 D		



EN ISO 354 &
EN ISO 11654

α_w	NRC	125	250	500	1000	2000	4000	Hz
0.20(L)	0.20	0.30	0.25	0.15	0.15	0.25	0.30	α_p

Sound Absorption Class = E



EN ISO 10848-2
& EN ISO 717-1

D_{nfw}
35 dB



EEA	Euroclass A2-s1, d0
EN 13501-1	

RUS	KM1 (G1, V1, D1, T1)
FZ 123	



EN 12667
& ISO 8301

$\lambda = 0.06$ W/m K



95 % RH



15 YEAR
guarantee



30 YEAR
system
guarantee



4 kg/m²



Please contact the Armstrong Technical Sales group for further details.

www.armstrong.eu

Armstrong®